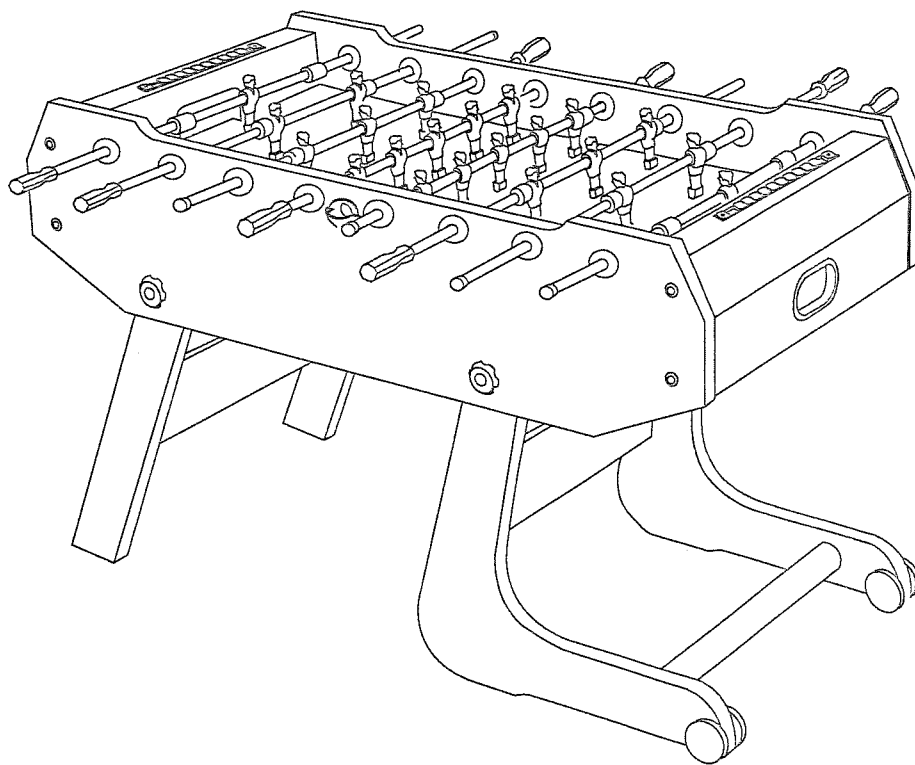


# SOCCER TABLE



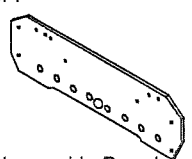
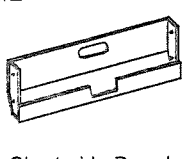
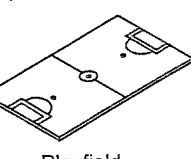
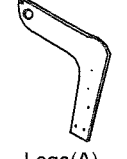
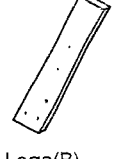
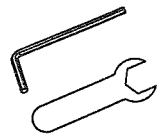



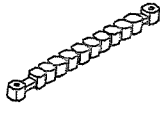



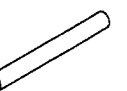
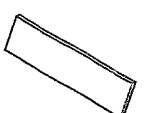
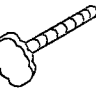
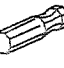









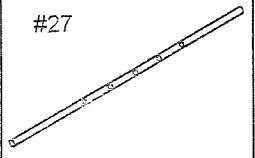
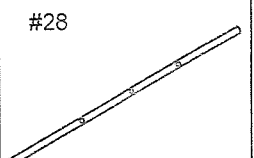
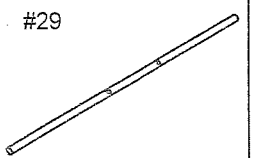

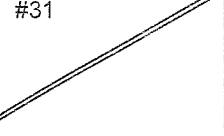
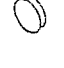


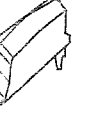



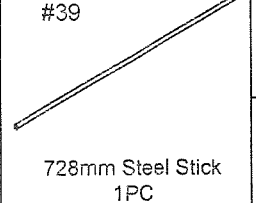


• Assembly/Instructions/Rules •

# Congratulations! We hope that you receive many years of safe family fun with your new soccer table.

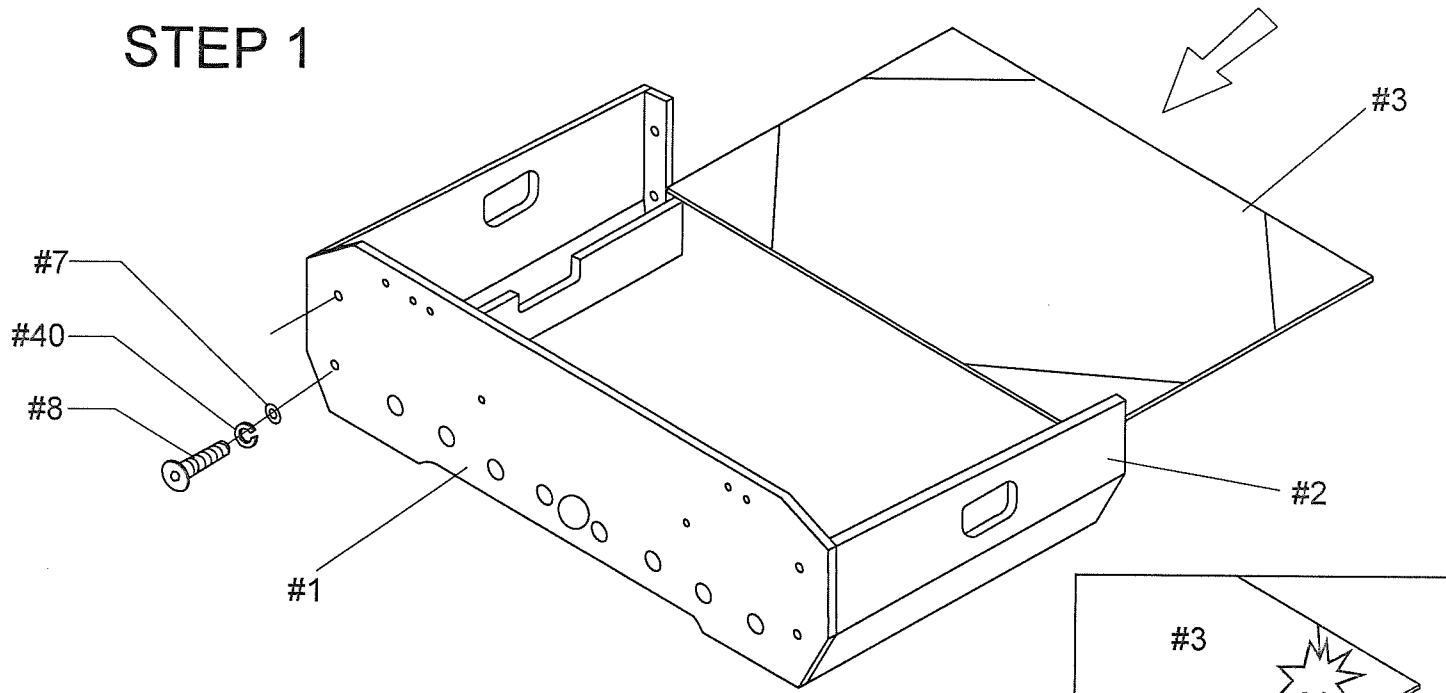
**\*\* Please carefully read all safety and installation instructions prior to proceeding with the table assembly \*\***

- 1) Your table is designed for use in a climate controlled indoor environment only. Damage can occur if the table is exposed to water, dampness, high humidity, freezing temperatures, etc.
- 2) Due to the weight of the table, it is recommended that two or more adults assist with the table assembly.
- 3) The table should be used for its intended purpose only.
- 4) Damaged or worn parts may be dangerous for game users and can compromise the integrity of the table. The table should not be used until damaged or worn components are replaced with comparable spare parts.
- 5) Unauthorized repairs or altering the tables design/functions may be dangerous and will void your factory warranty.
- 6) Periodically check all screws, bolts, etc. to ensure that they are in good working order and have not loosened over time.
- 7) Please keep the balls, small parts out of the reach of young children and pets.
- 8) Use care when pushing or pulling on the rods so players, spectators or objects nearby do not get poked, injured or damaged. Adult supervision is recommended when the table is being used by children.

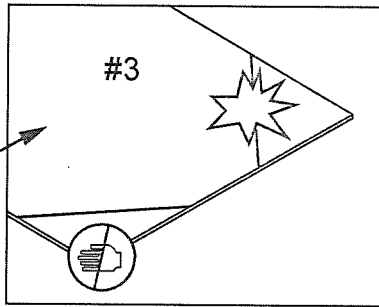
# Part List

#1  Long-side Boards 2PCS	#2  Short-side Boards 2PCS	#3  Playfield 1PC	#4  Legs(A) 2PCS	#5  Legs(B) 2PCS
#6  Wrench 1SET	#7  5/16*19mm Washers 18PCS	#8  5/16*2-1/2 Bolts 12PCS	#9  WP4*28mm Screws 20PCS	#10  Counters 2PCS
#11  Ball cups 2PCS	#12  F4*1-1/2 Screws 4PCS	#13  F4*2 Screws 8PCS	#14  Chrome Steel Bar 1PC	#15  Leg Panels 2PCS
#16  5/16*2-1/2 Plastic Blots 4PCS	#17  Rod Handles 8PCS	#18  Rod End Caps 8PCS	#19  Bumpers 16PCS	#20  Nuts 26PCS
#21  Soccer Balls 4PCS	#22  Plastic Washers 16PCS	#23  Players 22PCS	#24  8*1 Bolts 26PCS	#25  8*5/8 Screws 2PCS
#26  Bushings 4PCS	#27  5-Man Rods 2PCS	#28  3-Man Rods 4PCS	#29  2-Man Rods 2PCS	#30  5/16 Nuts 6PCS
#31  758mm Steel Sticks 2PCS	#32  Plastic Cover 4PCS	#33  36mm Steel Bolts 2PCS	#34  Wheels 4PCS	#35  Ball Receiver 2PCS
#36  P5*10mm Screws 4PCS	#37  6*13mm Washer 4PCS	#38  T4*15mm Screws 4PCS	#39  728mm Steel Stick 1PC	#40  5/16 Spring Washers 12PCS
				#41  Lubricant 1PC

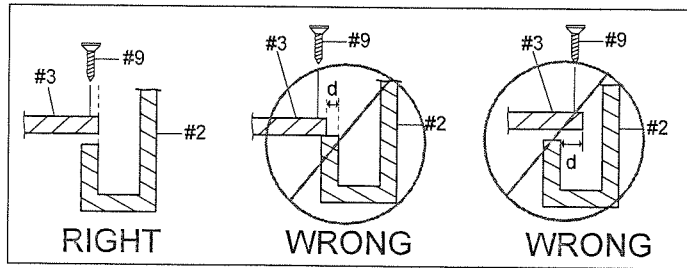
# STEP 1



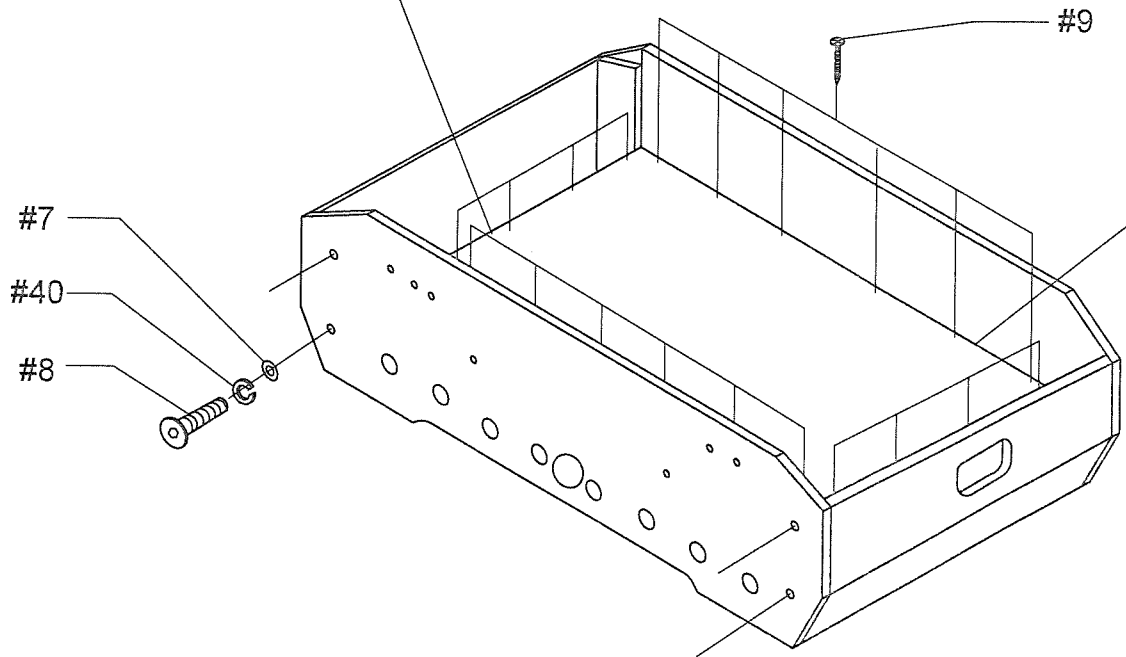
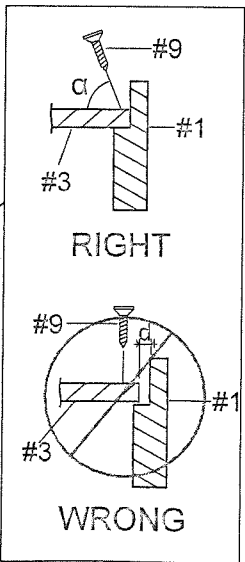
**IMPORTANT NOTE:**  
Do not lift corner of the bottom plate(#3), to avoid damage.



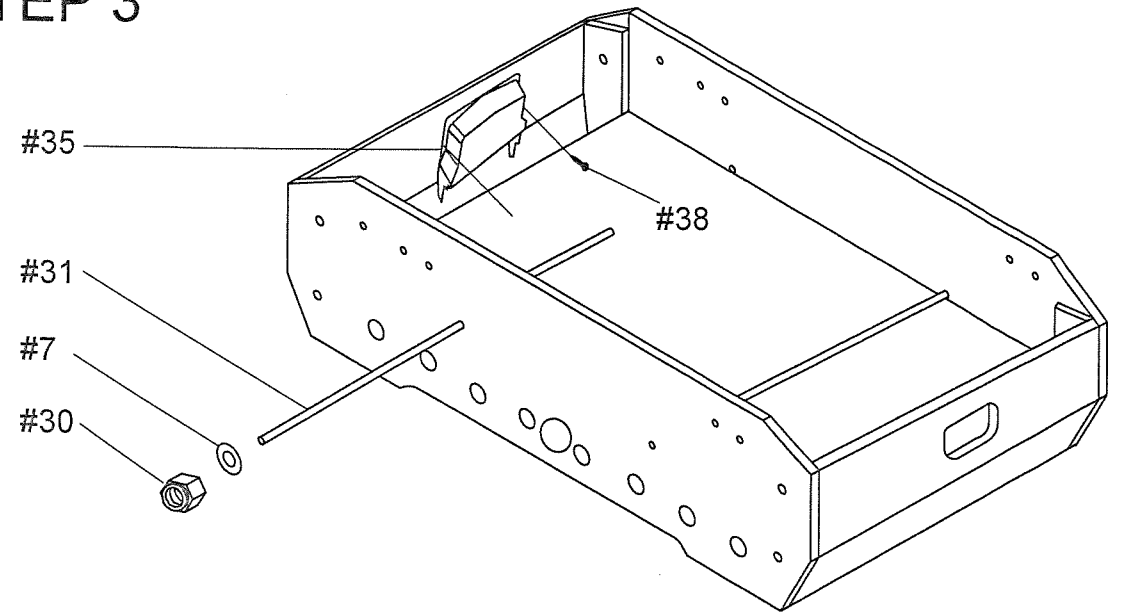
# STEP 2



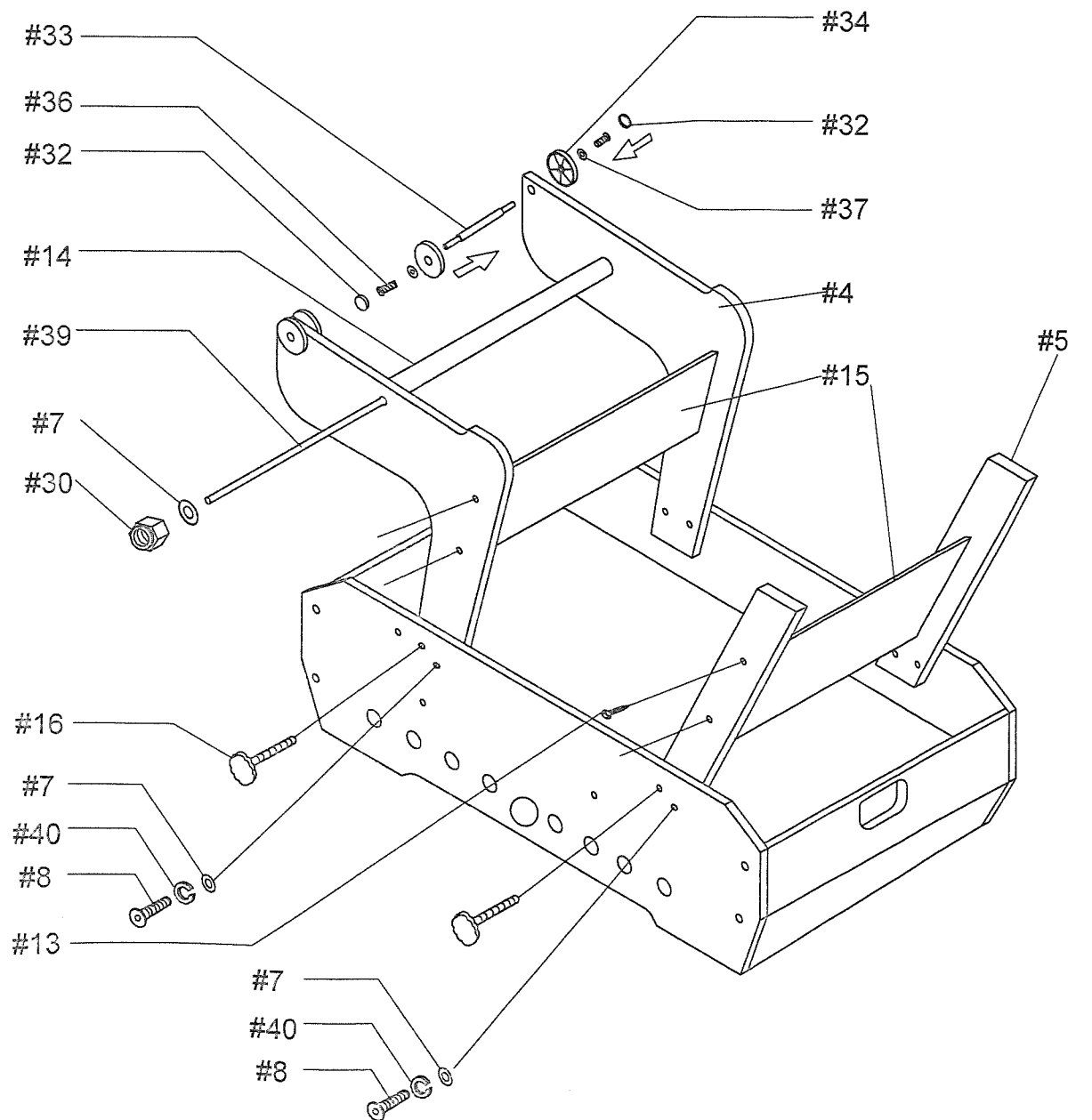
**WARNING:**  
Before locking #9 screws, make sure that #3 playfield is aligned with #2 end aprons edge.



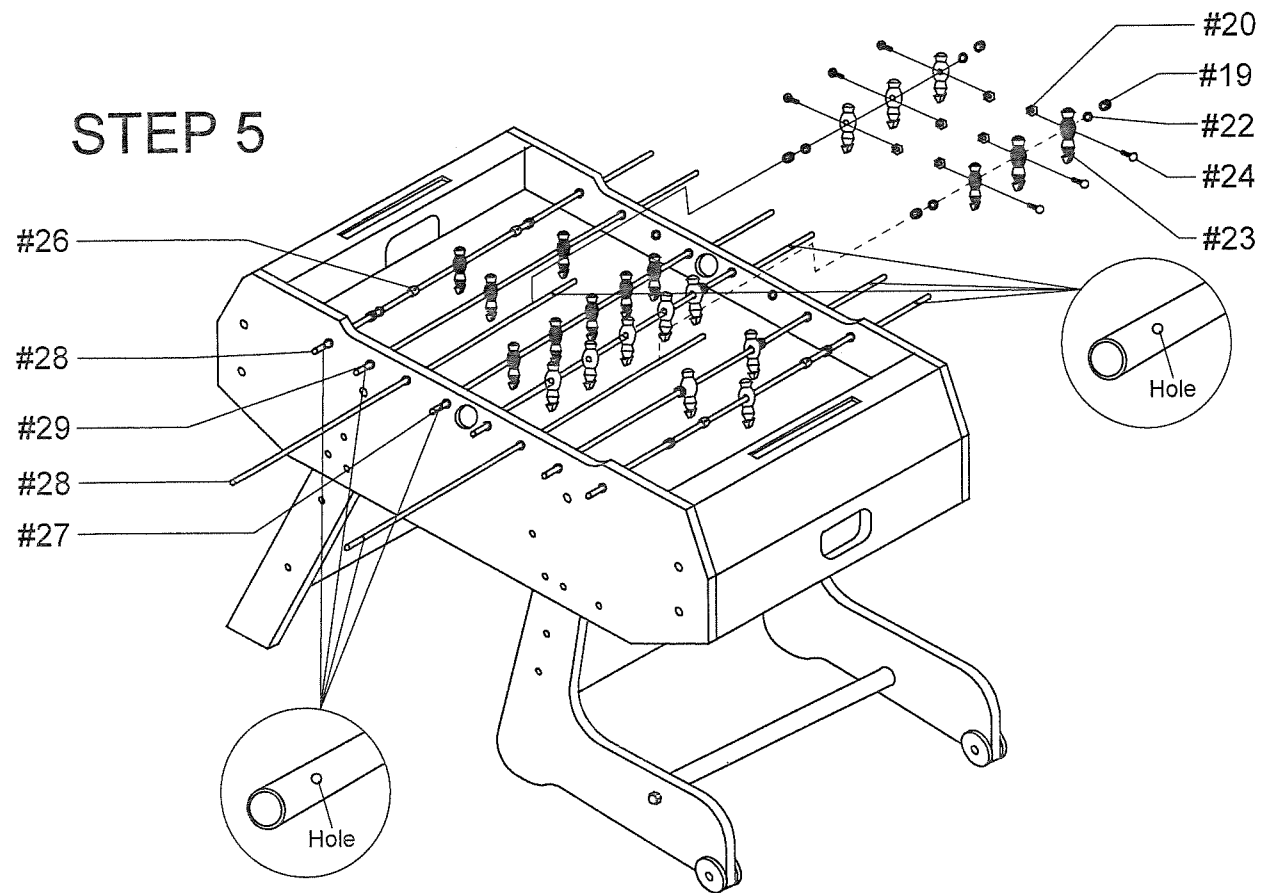
# STEP 3



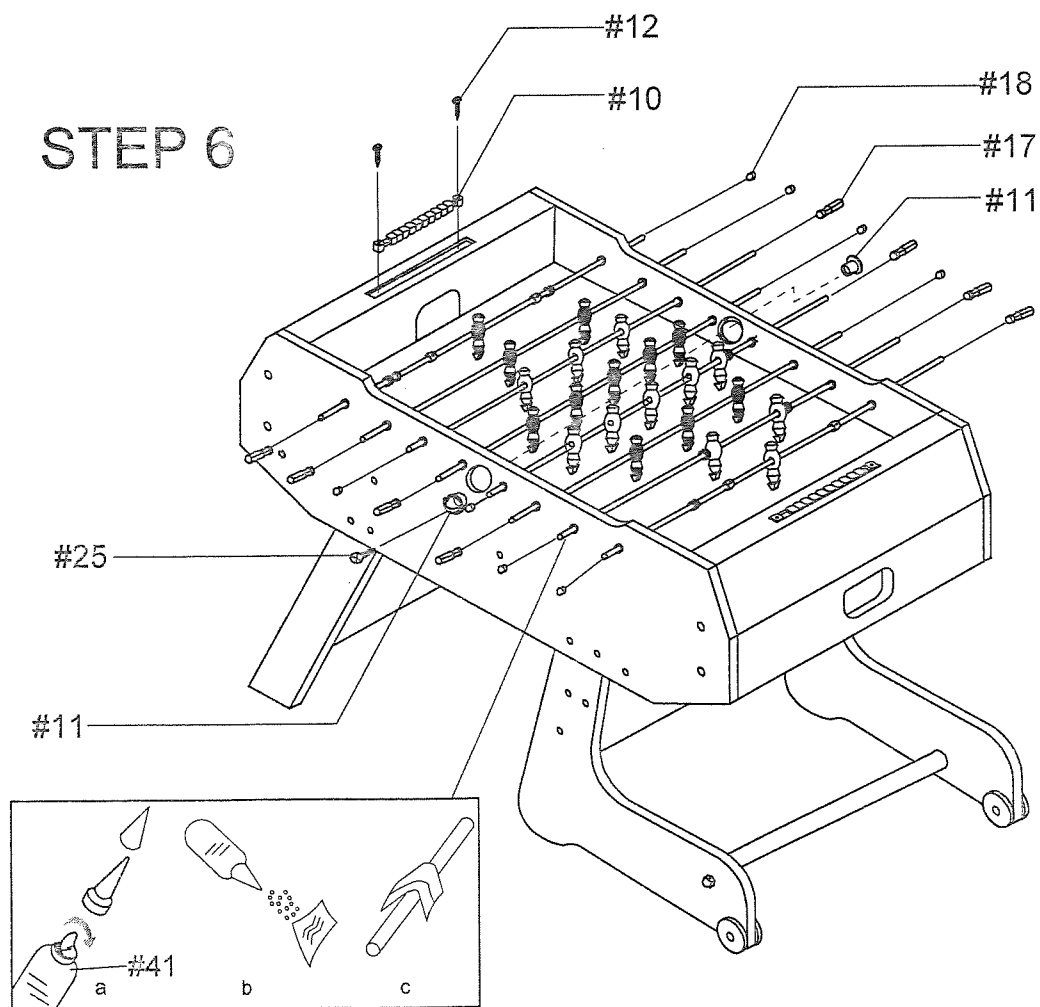
# STEP 4



### STEP 5

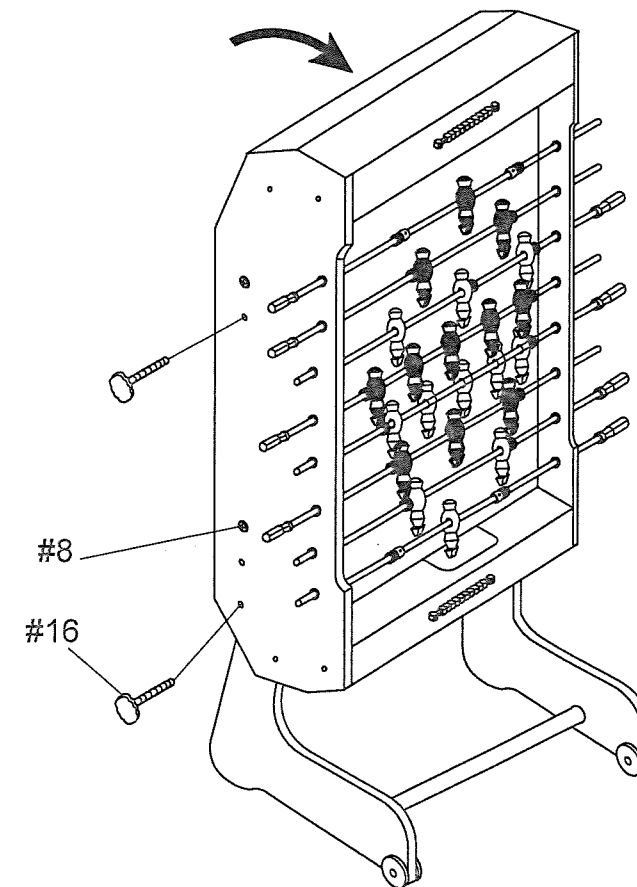


### STEP 6



• Spray the lubricant(#41) into a clean, soft cloth and then use the cloth to wipe the player rods where they come into contact with the bearings. See above.

### STEP 7



1. Please loosen #8 a little bit.
2. Please install #16 into another hole.
3. Then tighten #8&#16 at the same time.

**CAUTION:**Two adults are recommended to complete the assembly

#### TABLE MAINTENANCE

TABLE MAINTENANCE	
<b>TABLE SURFACE</b>	Keep your table covered. If there is dust on the playfield or the aprons, use a vacuum or wipe with a clean, soft cloth to remove. Do not sit on the table and do not use the table outside.
<b>RODS</b>	Occasionally wipe the rods with a clean, soft cloth. Never lift the table by the rods. Do not spin or press the rods too aggressively, as this may cause damage. We recommend the use of lubricant to wipe the Player Rods and Bearings from the outside of the game so as not to drip onto the playfield.
<b>LEGS</b>	Check that the leg bolts are tight. When moving the table, lift table off of its legs and place it down squarely on the legs, do not drag the table.
<b>METHOD</b>	Please make sure that all the screws, bolts are tightened before using. The table can't be hit by external force or used rough.

# Rules

**Flip A Coin** - A coin flip decides who serves the foosball to start the foosball game. After the first goal is scored, the rule is that the team who was last scored on gets to serve the next ball. This rule keeps the game fair for both opponents. The foosball must be touched by a man before the ball goes into a goal for a legal goal to occur.

**No Spinning** - A spin is a rule for when the rod completes a 360 degree rotation without touching the ball. This is deemed an illegal move in the rules of foosball.

**No Jarring** - Jarring is a rule for when a player slams his or her rods against the wall of the foosball table in an attempt to distract or jar the foosball loose from the other player's possession. The rule is that there is no jarring allowed at any point during a game. This is not the same as when a player on the opposite team moves his or her foosball rods back and forth in an attempt to play defense. The key this rule is when a player hits the wall of the table with enough force to jar the ball or distract the opponent. That is why this is a subjective rule that may be called more strict by certain foosball players.

**Dead Balls** - If a foosball stops in the middle of two opposing team rods, the ball must be picked up and reserved. The serve goes back to the team that was last scored on. If a dead ball occurs on the defensive side of the table behind the defensive 2 bar, the defensive player must move the ball back into playing position. This rule is in place so players don't cause a dead ball on purpose in order to force a reserve.

**Out of Play** - If a ball comes off the table area or hits a top rail and comes back into the table area, the ball is ruled out of play and must be reserved by the team that was last scored on.

**5 Bar Passing** - These 5 bar passing rules are a little complex if you have never played tournament foosball. These passing rules do not apply to the other foosball rods, just the 5 bar. You are required to pass the ball within a 10 second time period from your 5 bar rod to the 3 bar rod directly after a serve. After the initial serve, you then are allowed 15 seconds to pass from the 5 bar. A ball cannot be completely stopped on the 5 bar and passed forward to the 3 bar, it must be moving and touch 2 men on the 5 bar before being advanced. Additionally, the ball can only touch the wall a total of 2 times in a row (before touching a man again on the 5 bar) before being advanced. However, it can touch the ball a 3rd time if it is part of the pass.